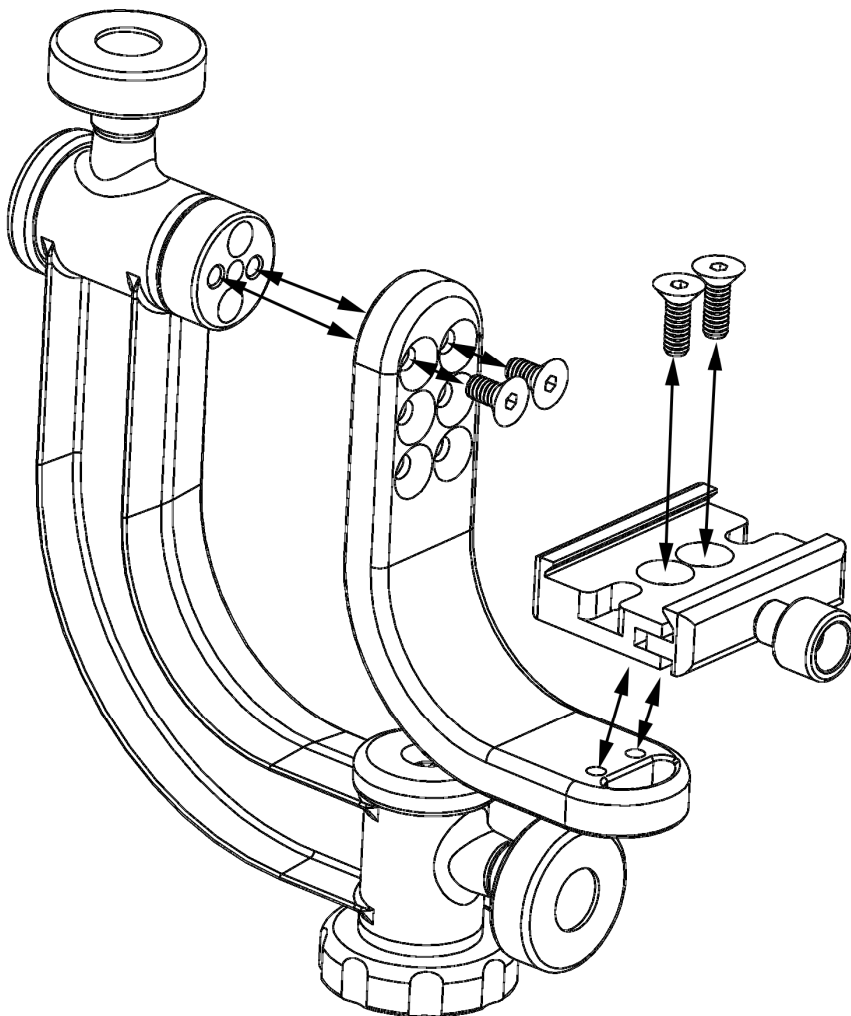




## Horizontal Mount (HM-J2) for Jobu Jr.2 Tripod Head

*Installation Instructions - Updated June 2008*

The Jobu Jr.2 horizontal mount arm (HM-J2) increases control of certain lenses and optimizes one-hand installation of your camera and lens when in the field.



1. Remove Quick-Release clamp from Jobu Jr.2 by removing two (2)  $\frac{1}{4}$ "-20 screws using the supplied allen wrench (size =  $\frac{5}{32}$ " )
2. Install quick release into lower portion of HM-J2 control arm using the same two screws from step one. These screws should be  $\frac{3}{4}$ " long.
3. Use the two supplied shorter screws ( $\frac{1}{2}$ " long) to mount the HM-J2 control arm into any set of 2 holes for best lens balance position. Try to place the balance point of your lens at, or slightly below, the tilting axis (i.e. like a pendulum) for best results.